

Big 6 and Fortress Locking Bar

FORTRESS LOCKING BAR



BIG 6 PADLOCK



SPECIFICATION

The ERA Big 6 Heavy Duty Padlock incorporates 6 levers for maximum security. The cast bolt is housed in a laminated steel case. There are over 1000 key combinations with master keying available. When used with the ERA Fortress Locking Bar, doors up to 70mm thick can be secured.

The Fortress Locking Bar has a drill proof hinge-pin which prevents hacksawing, whilst the hardened forged-steel staple, concealed by the hasp, prevents hacksawing and wrenching. The bars are manufactured from heavy malleable iron castings for maximum strength. All fixing screws are concealed.

ORDERING DETAILS

Big 6 Padlock 73mm (2 ⁷ / ₈ " Lock	212-41
Fortress Locking Bar Fortress	121-41

Packaging

The locks are individually boxed complete with full fitting instructions. The 2" Fortress padlock is also available clam packed.

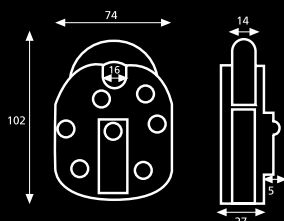
Contents - Big 6 Padlock

Padlock, 3 keys, fixings and instructions.

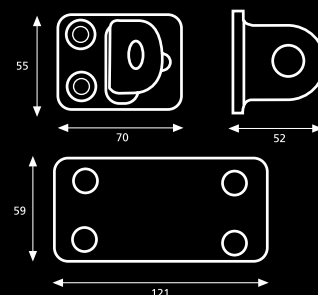
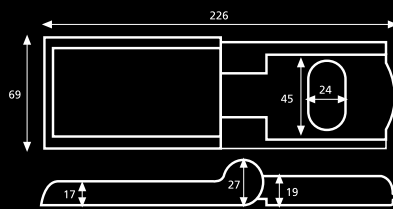
Contents - Fortress Locking Bar

Hasp and staple, fixings and instructions.

Big 6 Padlock



Fortress Locking Bar



Close Shackle & English Lever Padlocks

SPECIFICATION

The ERA Close Shackle Padlock has a 5 brass lever locking mechanism with a close hardened steel shackle offering maximum security. Master keying of this product is available. Doors up to 63mm thick can be secured when used in conjunction with the ERA Narrow Stile Security Locking Bar. This locking bar is manufactured from heavy malleable iron castings for maximum strength. The hardened forged-steel hasp conceals the staple to prevent hacksawing and forced wrenching.

The ERA English Lever Padlock has a 4 brass lever locking mechanism with a steel shackle in a pressed steel case. The English Lever Padlock range is ideally suited for general outdoor use. The rim is strongly fortified from inside to prevent other padlock keys from being used. The 2 keys supplied offer 12 key changes.

ORDERING DETAILS

Close Shackle	
64mm (2½") 5 Lever Padlock	975-91
Narrow Stile Locking Bar	
Narrow Stile	125-41
English Lever Padlock	
38mm (1½") Lock - Boxed	914-91
51mm (2") Lock - Boxed	924-91
51mm (2") Lock - Clam Packed	924-92
64mm (2½") Lock - Boxed	934-91

NARROW STILE LOCKING BAR



CLOSE SHACKLE PADLOCK



ENGLISH LEVER PADLOCK

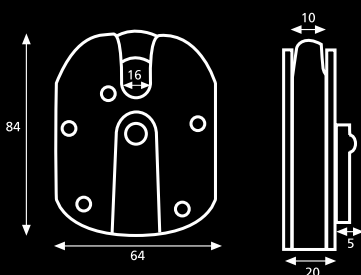
Packaging

The locks are individually boxed complete with full fitting instructions.

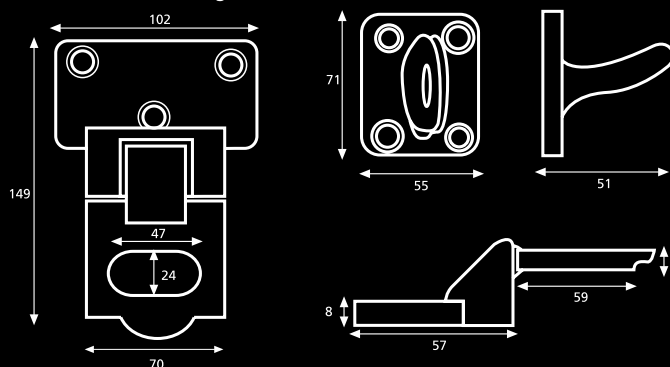
Contents - Close Shackle & Lever Padlocks
Padlock and 2 keys.

Contents - Narrow Stile Locking Bar
Hasp and staple, fixings and instructions.

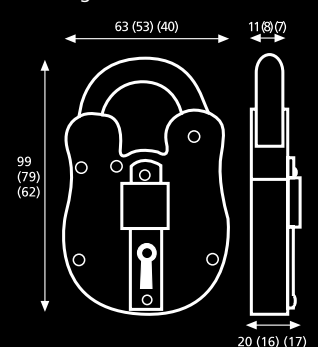
Close Shackle Padlock



Narrow Stile Locking Bar



English Lever Padlock



All dimensions in mm.

